

PS9123

Data Sheet

HIGH CMR, 15 Mbps TOTEM POLE OUTPUT TYPE, 5-PIN SOP (SO-5)
 PHOTOCOUPLER

R08DS0030EJ0100
 Rev.1.00
 Aug 14, 2012

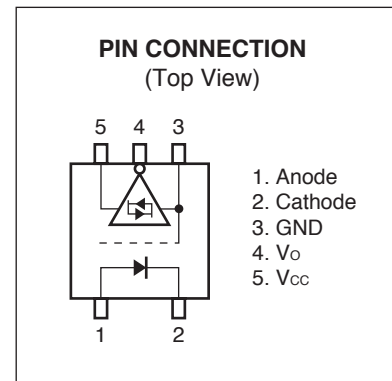
DESCRIPTION

The PS9123 is an optically coupled high-speed, totem pole output isolator containing a GaAlAs LED on the input side and a photodiode and a signal processing circuit on the output side on one chip.

The PS9123 is specified high CMR, high CTR and pulse width distortion with operating temperature.

<R> FEATURES

- High common mode transient immunity ($CM_H, CM_L = \pm 20 \text{ kV}/\mu\text{s}$ TYP.)
- Small package (SO-5)
- Pulse width distortion ($|t_{PHL} - t_{PLH}| = 4 \text{ ns}$ TYP.)
- High-speed (15 Mbps)
- High isolation voltage ($BV = 3\,750 \text{ V}_{r.m.s.}$)
- Totem pole output
- Embossed tape product : PS9123-F3 : 2 500 pcs/reel
- Pb-Free product
- Safety standards
 - UL approved: File No. E72422
 - CSA approved: No. CA 101391 (CA5A, CAN/CSA-C22.2 60065, 60950)
 - DIN EN60747-5-5 (VDE0884-5): 2011-11 approved No. 40008902 (Option)



TRUTH TABLE

| LED | Output |
|-----|--------|
| ON | L |
| OFF | H |

APPLICATIONS

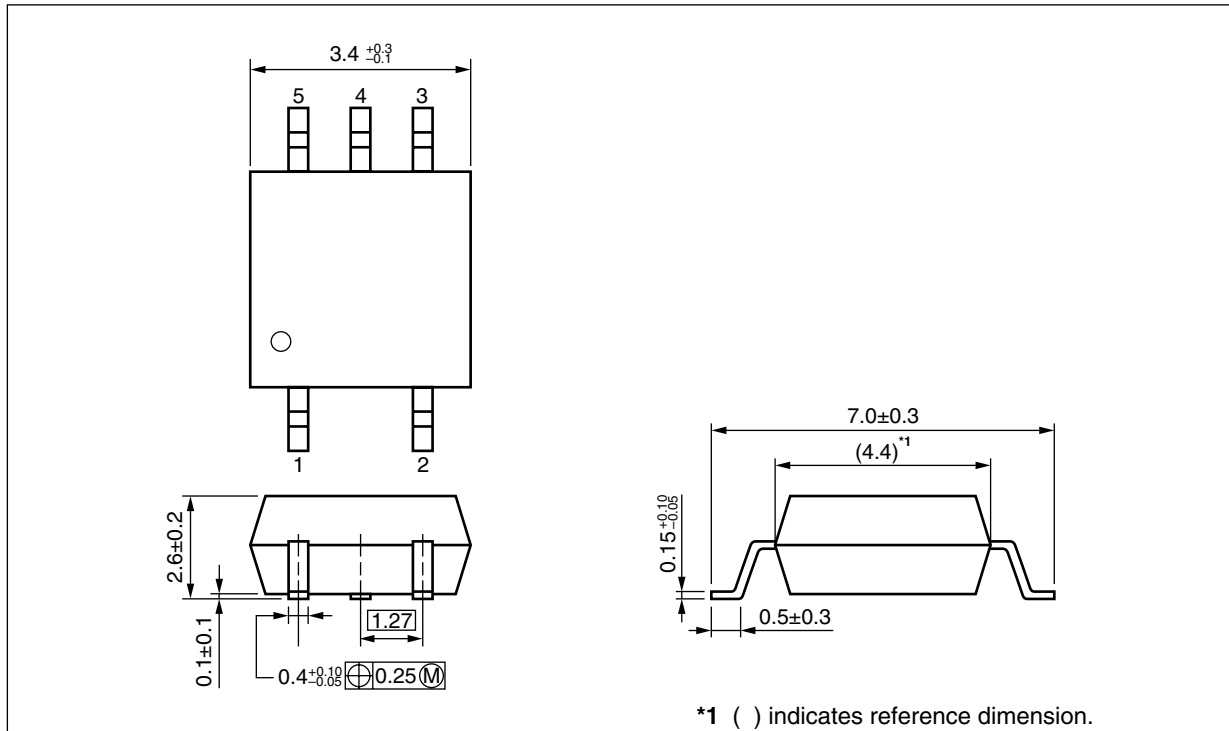
- PLC
- Inverter
- AC servo

The mark <R> shows major revised points.

The revised points can be easily searched by copying an "<R>" in the PDF file and specifying it in the "Find what:" field.

PS9123

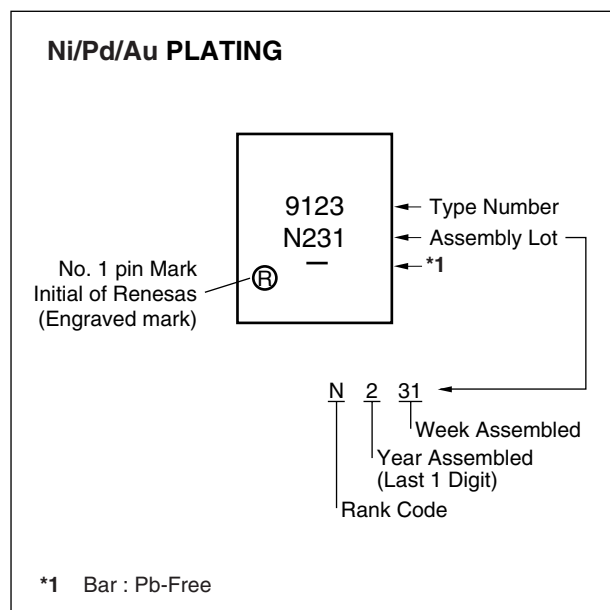
<R> **PACKAGE DIMENSIONS (UNIT: mm)**



<R> **PHOTOCOUPLER CONSTRUCTION**

| Parameter | Unit (MIN.) |
|-------------------------|-------------|
| Air Distance | 4.2 mm |
| Outer Creepage Distance | 4.2 mm |
| Isolation Distance | 0.2 mm |

<R> **MARKING EXAMPLE**



PS9123

<R> ORDERING INFORMATION

| Part Number | Order Number | Solder Plating Specification | Packing Style | Safety Standard Approval | Application Part Number ^{*1} |
|-------------|----------------|------------------------------|---------------------------------|--|---------------------------------------|
| PS9123 | PS9123-AX | Pb-Free (Ni/Pd/Au) | 20 pcs (Tape 20 pcs cut) | Standard products (UL, CSA approved) | PS9123 |
| PS9123-F3 | PS9123-F3-AX | | Embossed Tape 2 500 pcs/reel | | |
| PS9123-V | PS9123-V-AX | | 20 pcs (Tape 20 pcs cut) | DIN EN60747-5-5 (VDE0884-5): 2011-11 Approved (Option) | |
| PS9123-V-F3 | PS9123-V-F3-AX | | Embossed Tape 2 500 pcs/reel | | |

Note: *1. For the application of the Safety Standard, following part number should be used.

<R> ABSOLUTE MAXIMUM RATINGS ($T_A = 25^\circ\text{C}$, unless otherwise specified)

| Parameter | | Symbol | Ratings | Unit |
|---------------------------------|---------------------------------|-----------|-------------|------------------|
| Diode | Forward Current ^{*1} | I_F | 20 | mA |
| | Reverse Voltage | V_R | 5 | V |
| Detector | Supply Voltage | V_{CC} | 7 | V |
| | Output Voltage | V_O | 7 | V |
| | High Level Output Current | I_{OH} | -5 | mA |
| | Low Level Output Current | I_{OL} | 13 | mA |
| | Power Dissipation ^{*2} | P_C | 130 | mW |
| Isolation Voltage ^{*3} | | BV | 3 750 | Vr.m.s. |
| Operating Ambient Temperature | | T_A | -40 to +100 | $^\circ\text{C}$ |
| Storage Temperature | | T_{stg} | -55 to +125 | $^\circ\text{C}$ |

Notes: *1. Reduced to 0.19 mA/ $^\circ\text{C}$ at $T_A = 60^\circ\text{C}$ or more.

*2. $T_A = -40$ to $+100^\circ\text{C}$, applies to output pin V_O and power supply pin V_{CC} . Reduced to 2.4 mW/ $^\circ\text{C}$ at $T_A = 70^\circ\text{C}$ or more.

*3. AC voltage for 1 minute at $T_A = 25^\circ\text{C}$, RH = 60% between input and output.
Pins 1-2 shorted together, 3-5 shorted together.

<R> RECOMMENDED OPERATING CONDITIONS

| Parameter | Symbol | MIN. | TYP. | MAX. | Unit |
|--------------------------|----------|------|------|------|------|
| High Level Input Current | I_{FH} | 7.5 | | 12.5 | mA |
| Low Level Input Voltage | V_{FL} | 0 | | 0.8 | V |
| Supply Voltage | V_{CC} | 4.5 | 5.0 | 5.5 | V |
| TTL (loads) | N | | | 3 | |

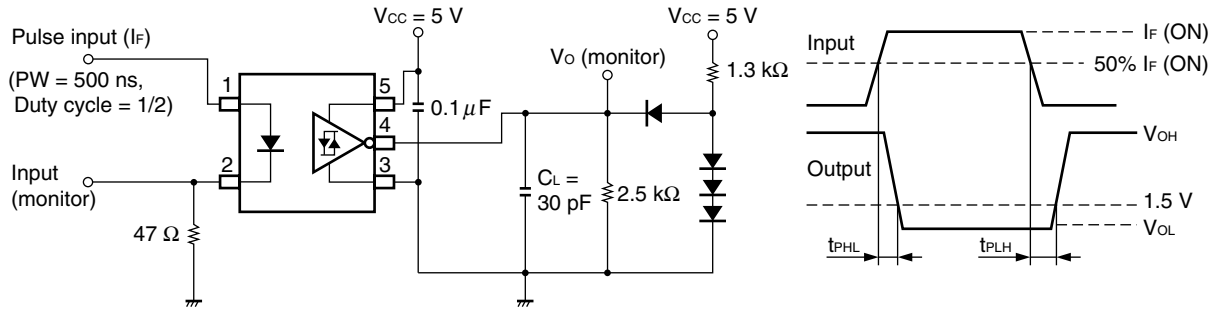
<R> **ELECTRICAL CHARACTERISTICS ($T_A = -40$ to $+100^\circ\text{C}$, unless otherwise specified)**

| | Parameter | Symbol | Conditions | MIN. | TYP.*1 | MAX. | Unit |
|----------|---|-----------------------|--|-----------|--------|------|-------------------------|
| Diode | Forward Voltage | V_F | $I_F = 10 \text{ mA}$, $T_A = 25^\circ\text{C}$ | 1.3 | 1.55 | 1.8 | V |
| | Reverse Current | I_R | $V_R = 3 \text{ V}$, $T_A = 25^\circ\text{C}$ | | | 10 | μA |
| | Terminal Capacitance | C_t | $f = 1 \text{ MHz}$, $V_F = 0 \text{ V}$, $T_A = 25^\circ\text{C}$ | | 30 | | pF |
| Detector | High Level Output Current | I_{OH} | $V_{CC} = V_O = 5.5 \text{ V}$, $I_F = 0 \text{ mA}$ | | 0.05 | 100 | μA |
| | High Level Output Voltage | V_{OH} | $V_{CC} = 4.5 \text{ V}$, $I_F = 0 \text{ mA}$, $I_{OH} = -2 \text{ mA}$ | 2.4 | 3.0 | | V |
| | Low Level Output Voltage | V_{OL} | $V_{CC} = 4.5 \text{ V}$, $I_F = 7 \text{ mA}$, $I_{OL} = 8 \text{ mA}$ | | 0.25 | 0.6 | V |
| | High Level Supply Current | I_{CCH} | $V_{CC} = 5.5 \text{ V}$, $I_F = 0 \text{ mA}$, $V_O = \text{open}$ | | 4 | 7 | mA |
| | Low Level Supply Current | I_{CCL} | $V_{CC} = 5.5 \text{ V}$, $I_F = 10 \text{ mA}$, $V_O = \text{open}$ | | 6 | 10 | mA |
| | High Level Output Short Circuit Current | I_{OSH} | $V_{CC} = 5.5 \text{ V}$, $V_O = \text{GND}$, $I_F = 0 \text{ mA}$, 10 ms or less | | -43 | | mA |
| | Low Level Output Short Circuit Current | I_{OSL} | $V_{CC} = V_O = 5.5 \text{ V}$, $I_F = 8 \text{ mA}$, 10 ms or less | | 28 | | mA |
| Coupled | Threshold Input Voltage (H \rightarrow L) | I_{FHL} | $V_{CC} = 5 \text{ V}$, $V_O = 0.6 \text{ V}$ | | 2.3 | 5 | mA |
| | Isolation Resistance | R_{I-O} | $V_{I-O} = 1 \text{ kV}_{DC}$, $RH = 40$ to 60% , $T_A = 25^\circ\text{C}$ | 10^{11} | | | Ω |
| | Isolation Capacitance | C_{I-O} | $V = 0 \text{ V}$, $f = 1 \text{ MHz}$, $T_A = 25^\circ\text{C}$ | | 0.6 | | pF |
| | Propagation Delay Time (H \rightarrow L) ^{*2} | t_{PHL} | $V_{CC} = 5 \text{ V}$, $I_F = 7.5 \text{ mA}$ | 10 | 28 | 60 | ns |
| | Propagation Delay Time (L \rightarrow H) ^{*2} | t_{PLH} | $V_{CC} = 5 \text{ V}$, $I_F = 7.5 \text{ mA}$ | 10 | 32 | 60 | ns |
| | Pulse Width Distortion (PWD) ^{*2} | $ t_{PHL} - t_{PLH} $ | $V_{CC} = 5 \text{ V}$, $I_F = 7.5 \text{ mA}$ | | 4 | 30 | ns |
| | Common Mode Transient Immunity at High Level Output ^{*3} | CM_H | $V_{CC} = 5 \text{ V}$, $T_A = 25^\circ\text{C}$, $I_F = 0 \text{ mA}$, $V_{O(MIN.)} = 2 \text{ V}$, $V_{CM} = 1 \text{ kV}$ | 15 | 20 | | $\text{kV}/\mu\text{s}$ |
| | Common Mode Transient Immunity at Low Level Output ^{*3} | CM_L | $V_{CC} = 5 \text{ V}$, $T_A = 25^\circ\text{C}$, $I_F = 7.5 \text{ mA}$, $V_{O(MAX.)} = 0.8 \text{ V}$, $V_{CM} = 1 \text{ kV}$ | 15 | 20 | | $\text{kV}/\mu\text{s}$ |

PS9123

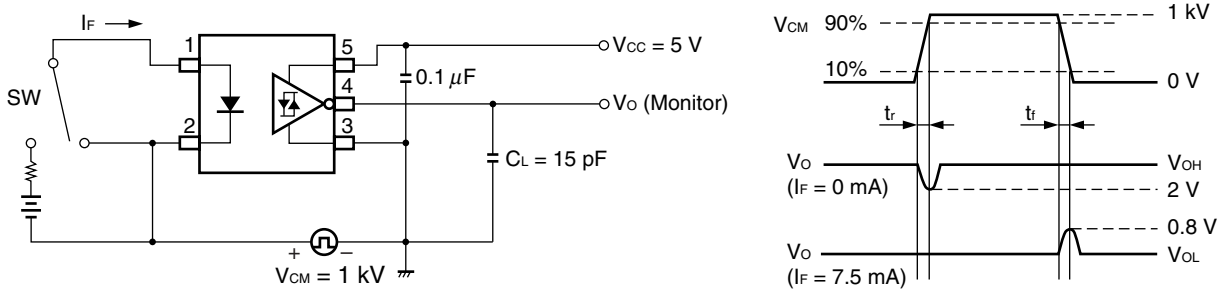
Notes: *1. Typical values at $T_A = 25^\circ\text{C}$

*2. Test circuit for propagation delay time



C_L includes probe and stray wiring capacitance.

*3. Test circuit for common mode transient immunity

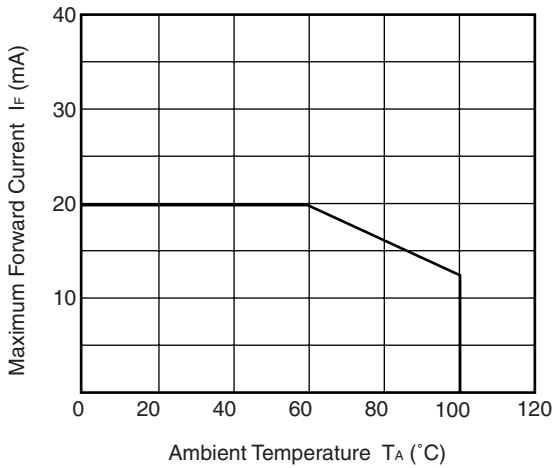


C_L includes probe and stray wiring capacitance.

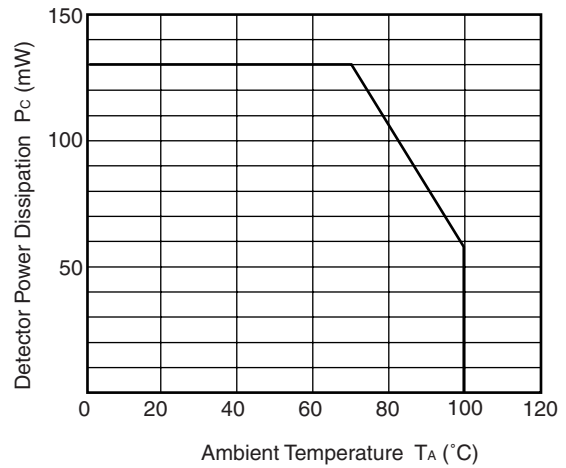
PS9123

<R> **TYPICAL CHARACTERISTICS (T_A = 25°C, unless otherwise specified)**

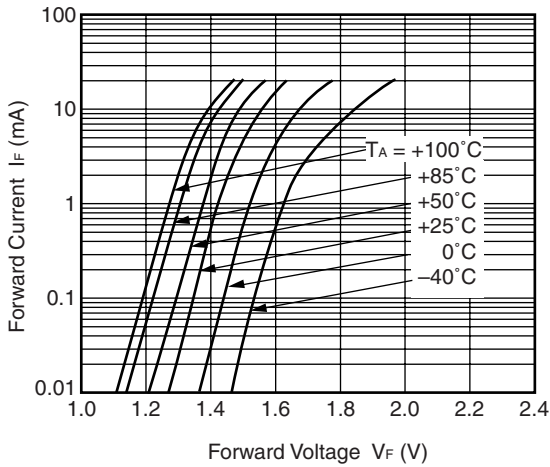
MAXIMUM FORWARD CURRENT vs. AMBIENT TEMPERATURE



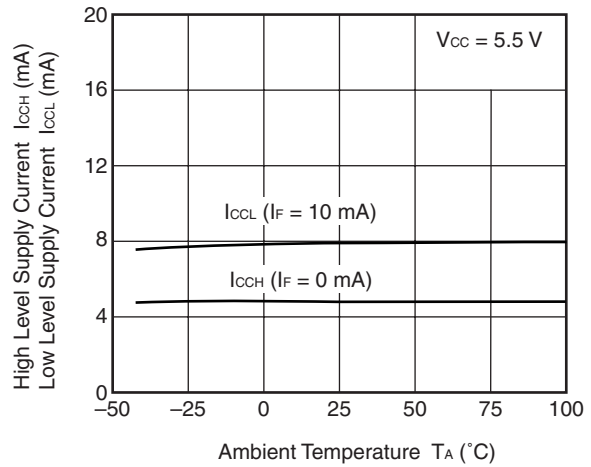
DETECTOR POWER DISSIPATION vs. AMBIENT TEMPERATURE



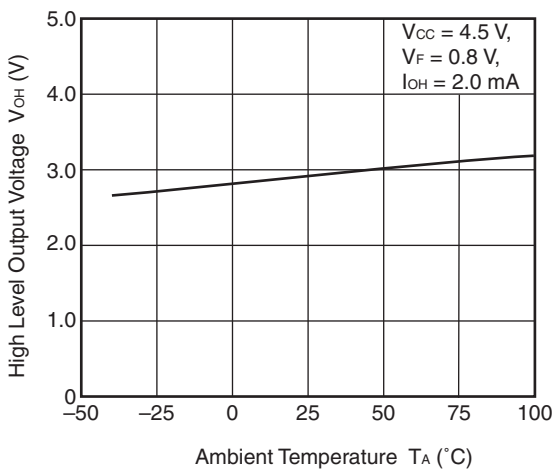
FORWARD CURRENT vs. FORWARD VOLTAGE



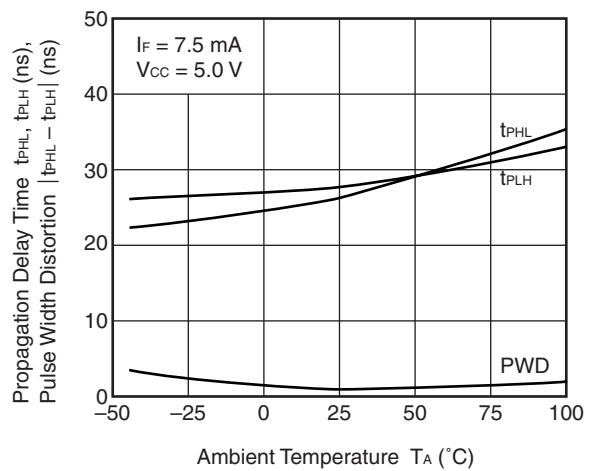
SUPPLY CURRENT vs. AMBIENT TEMPERATURE



HIGH LEVEL OUTPUT VOLTAGE vs. AMBIENT TEMPERATURE

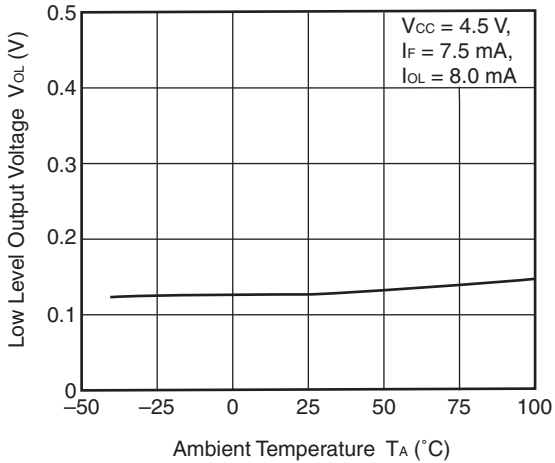


PROPAGATION DELAY TIME, PULSE WIDTH DISTORTION vs. AMBIENT TEMPERATURE

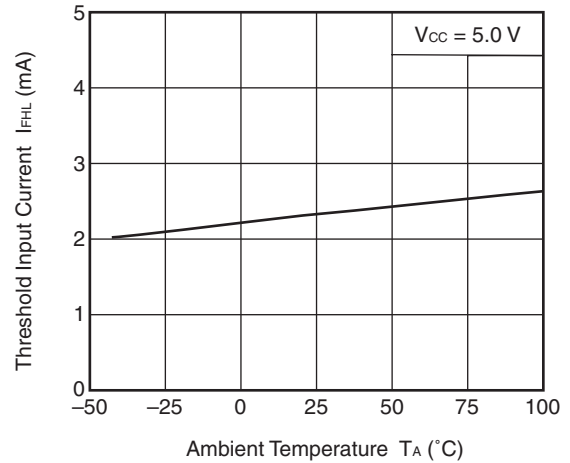


Remark The graphs indicate nominal characteristics.

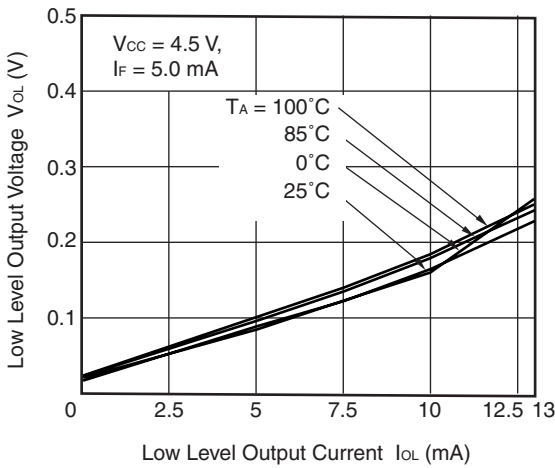
LOW LEVEL OUTPUT VOLTAGE vs. AMBIENT TEMPERATURE



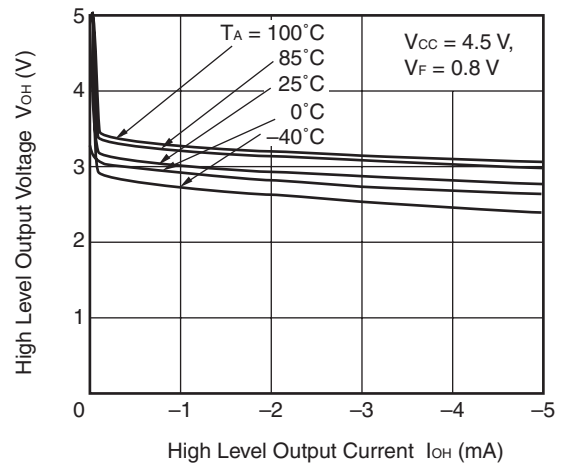
THRESHOLD INPUT CURRENT vs. AMBIENT TEMPERATURE



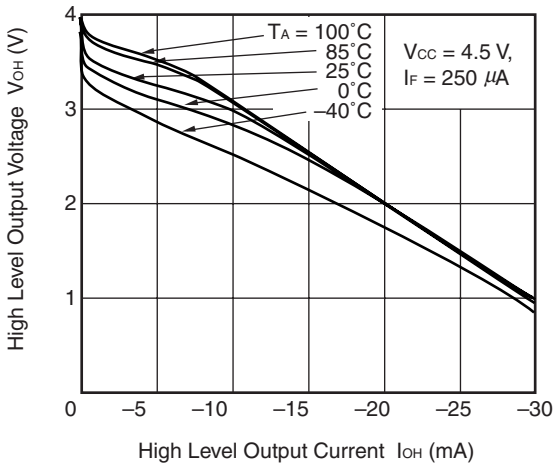
LOW LEVEL OUTPUT VOLTAGE vs. LOW LEVEL OUTPUT CURRENT



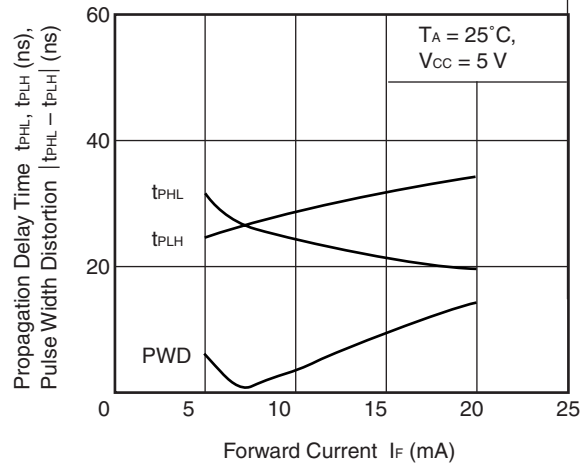
HIGH LEVEL OUTPUT VOLTAGE vs. HIGH LEVEL OUTPUT CURRENT



HIGH LEVEL OUTPUT VOLTAGE vs. HIGH LEVEL OUTPUT CURRENT



PROPAGATION DELAY TIME, PULSE WIDTH DISTORTION vs. FORWARD CURRENT

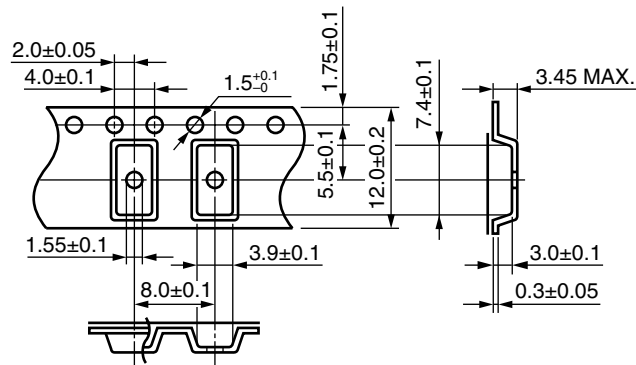


Remark The graphs indicate nominal characteristics.

PS9123

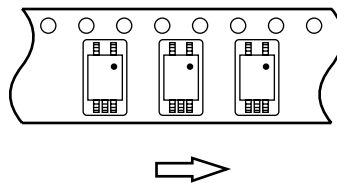
<R> **TAPING SPECIFICATIONS (UNIT: mm)**

Outline and Dimensions (Tape)

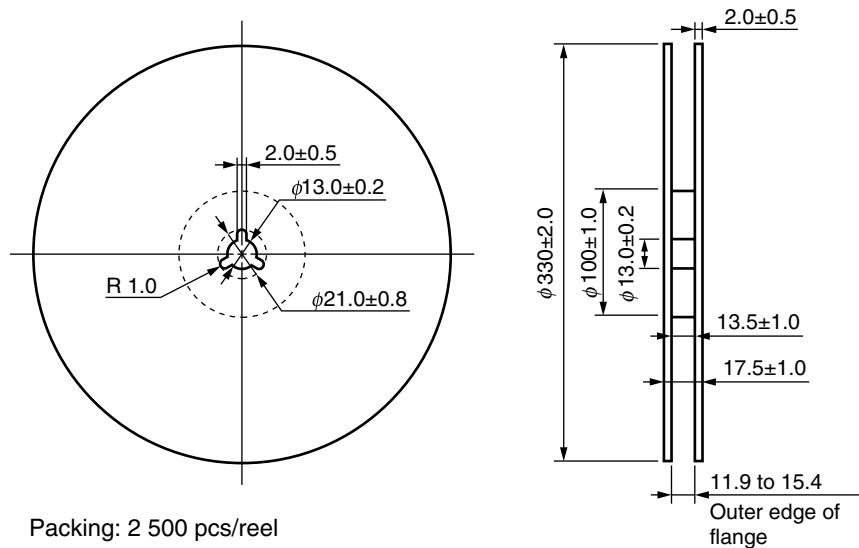


Tape Direction

PS9123-F3

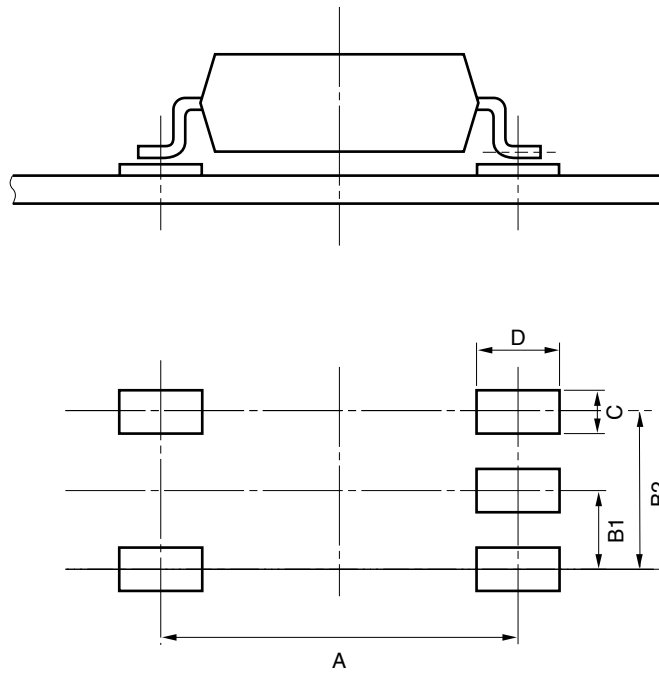


Outline and Dimensions (Reel)



PS9123

<R> **RECOMMENDED MOUNT PAD DIMENSIONS (UNIT: mm)**



| Part Number | A | B1 | B2 | C | D |
|-------------|------|------|------|-----|------|
| PS9123 | 6.25 | 1.27 | 2.54 | 0.8 | 1.45 |

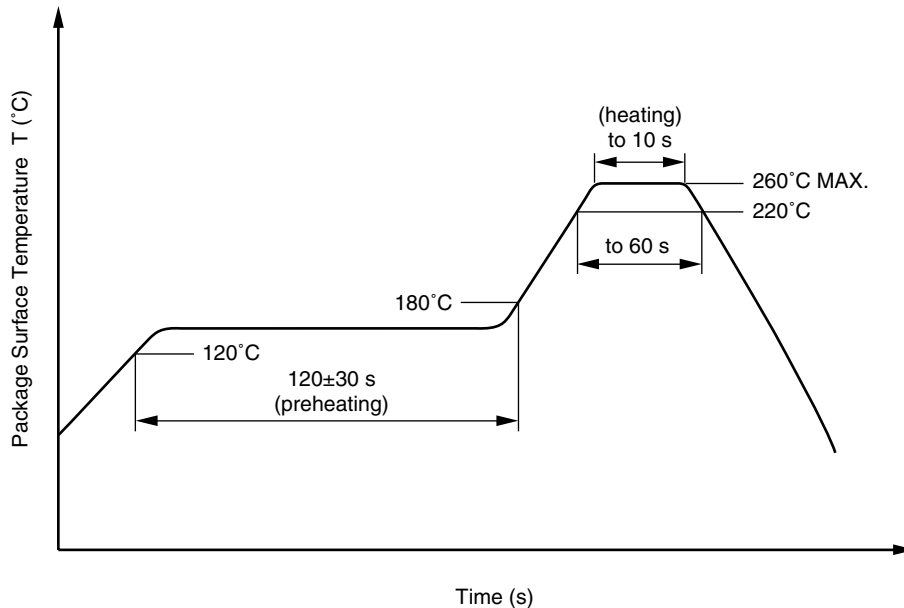
NOTES ON HANDLING

1. Recommended soldering conditions

(1) Infrared reflow soldering

- Peak reflow temperature 260°C or below (package surface temperature)
- Time of peak reflow temperature 10 seconds or less
- Time of temperature higher than 220°C 60 seconds or less
- Time to preheat temperature from 120 to 180°C 120±30 s
- Number of reflows Three or less
- Flux Rosin flux containing small amount of chlorine (The flux with a maximum chlorine content of 0.2 Wt% or less is recommended.)

Recommended Temperature Profile of Infrared Reflow



(2) Wave soldering

- Temperature 260°C or below (molten solder temperature)
- Time 10 seconds or less
- Preheating conditions 120°C or below (package surface temperature)
- Number of times One (Allowed to be dipped in solder including plastic mold portion.)
- Flux Rosin flux containing small amount of chlorine (The flux with a maximum chlorine content of 0.2 Wt% or less is recommended.)

(3) Soldering by Soldering Iron

- Peak Temperature (lead part temperature) 350°C or below
- Time (each pin) 3 seconds or less
- Flux Rosin flux containing small amount of chlorine (The flux with a maximum chlorine content of 0.2 Wt% or less is recommended.)

(a) Soldering of leads should be made at the point 1.5 to 2.0 mm from the root of the lead

(4) Cautions

- Fluxes
Avoid removing the residual flux with freon-based and chlorine-based cleaning solvent.

2. Cautions Regarding Noise

Be aware that when voltage is applied suddenly between the photocoupler's input and output at startup, the output transistor may enter the on state, even if the voltage is within the absolute maximum ratings.

USAGE CAUTIONS

1. This product is weak for static electricity by designed with high-speed integrated circuit so protect against static electricity when handling.
2. By-pass capacitor of 0.1 μF or more is used between V_{CC} and GND near device. Also, ensure that the distance between the leads of the photocoupler and capacitor is 10 mm or less.
3. Avoid storage at a high temperature and high humidity.

<R> SPECIFICATION OF VDE MARKS LICENSE DOCUMENT

| Parameter | Symbol | Spec. | Unit |
|---|--|-----------------------------|----------------------------|
| Climatic test class (IEC 60068-1/DIN EN 60068-1) | | 40/100/21 | |
| Dielectric strength maximum operating isolation voltage | U_{IORM} | 707 | V_{peak} |
| Test voltage (partial discharge test, procedure a for type test and random test) $U_{pr} = 1.6 \times U_{IORM}, P_d < 5 \text{ pC}$ | U_{pr} | 1 131 | V_{peak} |
| Test voltage (partial discharge test, procedure b for all devices) $U_{pr} = 1.875 \times U_{IORM}, P_d < 5 \text{ pC}$ | U_{pr} | 1 326 | V_{peak} |
| Highest permissible overvoltage | U_{TR} | 6 000 | V_{peak} |
| Degree of pollution (DIN EN 60664-1 VDE0110 Part 1) | | 2 | |
| Comparative tracking index (IEC 60112/DIN EN 60112 (VDE 0303 Part 1)) | CTI | 175 | |
| Material group (DIN EN 60664-1 VDE0110 Part 1) | | III a | |
| Storage temperature range | T_{stg} | -55 to +125 | °C |
| Operating temperature range | T_A | -40 to +100 | °C |
| Isolation resistance, minimum value $V_{IO} = 500 \text{ V dc at } T_A = 25^\circ\text{C}$ $V_{IO} = 500 \text{ V dc at } T_A \text{ MAX. at least } 100^\circ\text{C}$ | Ris MIN. Ris MIN. | 10^{12} 10^{11} | Ω Ω |
| Safety maximum ratings (maximum permissible in case of fault, see thermal derating curve) Package temperature Current (input current $I_F, P_{si} = 0$) Power (output or total power dissipation) Isolation resistance $V_{IO} = 500 \text{ V dc at } T_A = T_{si}$ | T_{si} I_{si} P_{si} Ris MIN. | 150 200 300 10^9 | °C mA mW Ω |

| | |
|------------------------------|--|
| Caution GaAs Products | <p>This product uses gallium arsenide (GaAs). GaAs vapor and powder are hazardous to human health if inhaled or ingested, so please observe the following points.</p> <ul style="list-style-type: none">• Follow related laws and ordinances when disposing of the product. If there are no applicable laws and/or ordinances, dispose of the product as recommended below.<ol style="list-style-type: none">1. Commission a disposal company able to (with a license to) collect, transport and dispose of materials that contain arsenic and other such industrial waste materials.2. Exclude the product from general industrial waste and household garbage, and ensure that the product is controlled (as industrial waste subject to special control) up until final disposal.• Do not burn, destroy, cut, crush, or chemically dissolve the product.• Do not lick the product or in any way allow it to enter the mouth. |
|------------------------------|--|

Revision History**PS9123 Data Sheet**

| Rev. | Date | Description | |
|-----------|---|-------------|--|
| | | Page | Summary |
| 0.01 | Jan 29, 2011 | – | First edition issued |
| 1.00 | Aug 14, 2012 | Throughout | “Preliminary Data Sheet” is changed to “Data Sheet.” |
| | | p.1 | Modification of FEATURES |
| | | p.2 | Modification of PACKAGE DIMENSIONS |
| | | | Modification of PHOTOCOUPLER CONSTRUCTION |
| | | | Modification of MARKING EXAMPLE |
| | | p.3 | Addition of ORDERING INFORMATION |
| | | | Modification of ABSOLUTE MAXIMUM RATINGS |
| | | | Modification of RECOMMENDED OPERATING CONDITIONS |
| | | pp.4, 5 | Modification of ELECTRICAL CHARACTERISTICS |
| | | pp.6, 7 | Addition of TYPICAL CHARACTERISTICS |
| | | p.8 | Addition of TAPING SPECIFICATIONS |
| p.9 | Addition of RECOMMENDED MOUNT PAD DIMENSIONS | | |
| pp.10, 11 | Addition of NOTES ON HANDLING | | |
| p.12 | Addition of SPECIFICATION OF VDE MARKS LICENSE DOCUMENT | | |

All trademarks and registered trademarks are the property of their respective owners.

NOTICE

1. Descriptions of circuits, software and other related information in this document are provided only to illustrate the operation of semiconductor products and application examples. You are fully responsible for the incorporation of these circuits, software, and information in the design of your equipment. California Eastern Laboratories and Renesas Electronics assumes no responsibility for any losses incurred by you or third parties arising from the use of these circuits, software, or information.
2. California Eastern Laboratories has used reasonable care in preparing the information included in this document, but California Eastern Laboratories does not warrant that such information is error free. California Eastern Laboratories and Renesas Electronics assumes no liability whatsoever for any damages incurred by you resulting from errors in or omissions from the information included herein.
3. California Eastern Laboratories and Renesas Electronics do not assume any liability for infringement of patents, copyrights, or other intellectual property rights of third parties by or arising from the use of Renesas Electronics products or technical information described in this document. No license, express, implied or otherwise, is granted hereby under any patents, copyrights or other intellectual property rights of California Eastern Laboratories or Renesas Electronics or others.
4. You should not alter, modify, copy, or otherwise misappropriate any Renesas Electronics product, whether in whole or in part. California Eastern Laboratories and Renesas Electronics assume no responsibility for any losses incurred by you or third parties arising from such alteration, modification, copy or otherwise misappropriation of Renesas Electronics product.
5. Renesas Electronics products are classified according to the following two quality grades: "Standard" and "High Quality". The recommended applications for each Renesas Electronics product depends on the product's quality grade, as indicated below. "Standard": Computers; office equipment; communications equipment; test and measurement equipment; audio and visual equipment; home electronic appliances; machine tools; personal electronic equipment; and industrial robots etc. "High Quality": Transportation equipment (automobiles, trains, ships, etc.); traffic control systems; anti-disaster systems; anti-crime systems; and safety equipment etc. Renesas Electronics products are neither intended nor authorized for use in products or systems that may pose a direct threat to human life or bodily injury (artificial life support devices or systems, surgical implantations etc.), or may cause serious property damages (nuclear reactor control systems, military equipment etc.). You must check the quality grade of each Renesas Electronics product before using it in a particular application. You may not use any Renesas Electronics product for any application for which it is not intended. California Eastern Laboratories and Renesas Electronics shall not be in any way liable for any damages or losses incurred by you or third parties arising from the use of any Renesas Electronics product for which the product is not intended by California Eastern Laboratories or Renesas Electronics.
6. You should use the Renesas Electronics products described in this document within the range specified by California Eastern Laboratories, especially with respect to the maximum rating, operating supply voltage range, movement power voltage range, heat radiation characteristics, installation and other product characteristics. California Eastern Laboratories shall have no liability for malfunctions or damages arising out of the use of Renesas Electronics products beyond such specified ranges.
7. Although Renesas Electronics endeavors to improve the quality and reliability of its products, semiconductor products have specific characteristics such as the occurrence of failure at a certain rate and malfunctions under certain use conditions. Further, Renesas Electronics products are not subject to radiation resistance design. Please be sure to implement safety measures to guard them against the possibility of physical injury, and injury or damage caused by fire in the event of the failure of a Renesas Electronics product, such as safety design for hardware and software including but not limited to redundancy, fire control and malfunction prevention, appropriate treatment for aging degradation or any other appropriate measures. Because the evaluation of microcomputer software alone is very difficult, please evaluate the safety of the final products or systems manufactured by you.
8. Please contact a California Eastern Laboratories sales office for details as to environmental matters such as the environmental compatibility of each Renesas Electronics product. Please use Renesas Electronics products in compliance with all applicable laws and regulations that regulate the inclusion or use of controlled substances, including without limitation, the EU RoHS Directive. California Eastern Laboratories and Renesas Electronics assume no liability for damages or losses occurring as a result of your noncompliance with applicable laws and regulations.
9. Renesas Electronics products and technology may not be used for or incorporated into any products or systems whose manufacture, use, or sale is prohibited under any applicable domestic or foreign laws or regulations. You should not use Renesas Electronics products or technology described in this document for any purpose relating to military applications or use by the military, including but not limited to the development of weapons of mass destruction. When exporting the Renesas Electronics products or technology described in this document, you should comply with the applicable export control laws and regulations and follow the procedures required by such laws and regulations.
10. It is the responsibility of the buyer or distributor of California Eastern Laboratories, who distributes, disposes of, or otherwise places the Renesas Electronics product with a third party, to notify such third party in advance of the contents and conditions set forth in this document, California Eastern Laboratories and Renesas Electronics assume no responsibility for any losses incurred by you or third parties as a result of unauthorized use of Renesas Electronics products.
11. This document may not be reproduced or duplicated in any form, in whole or in part, without prior written consent of California Eastern Laboratories.
12. Please contact a California Eastern Laboratories sales office if you have any questions regarding the information contained in this document or Renesas Electronics products, or if you have any other inquiries.

NOTE 1: "Renesas Electronics" as used in this document means Renesas Electronics Corporation and also includes its majority-owned subsidiaries.

NOTE 2: "Renesas Electronics product(s)" means any product developed or manufactured by or for Renesas Electronics.

NOTE 3: Products and product information are subject to change without notice.

CEL Headquarters • 4590 Patrick Henry Drive, Santa Clara, CA 95054 • Phone (408) 919-2500 • www.cel.com

For a complete list of sales offices, representatives and distributors,
Please visit our website: www.cel.com/contactus